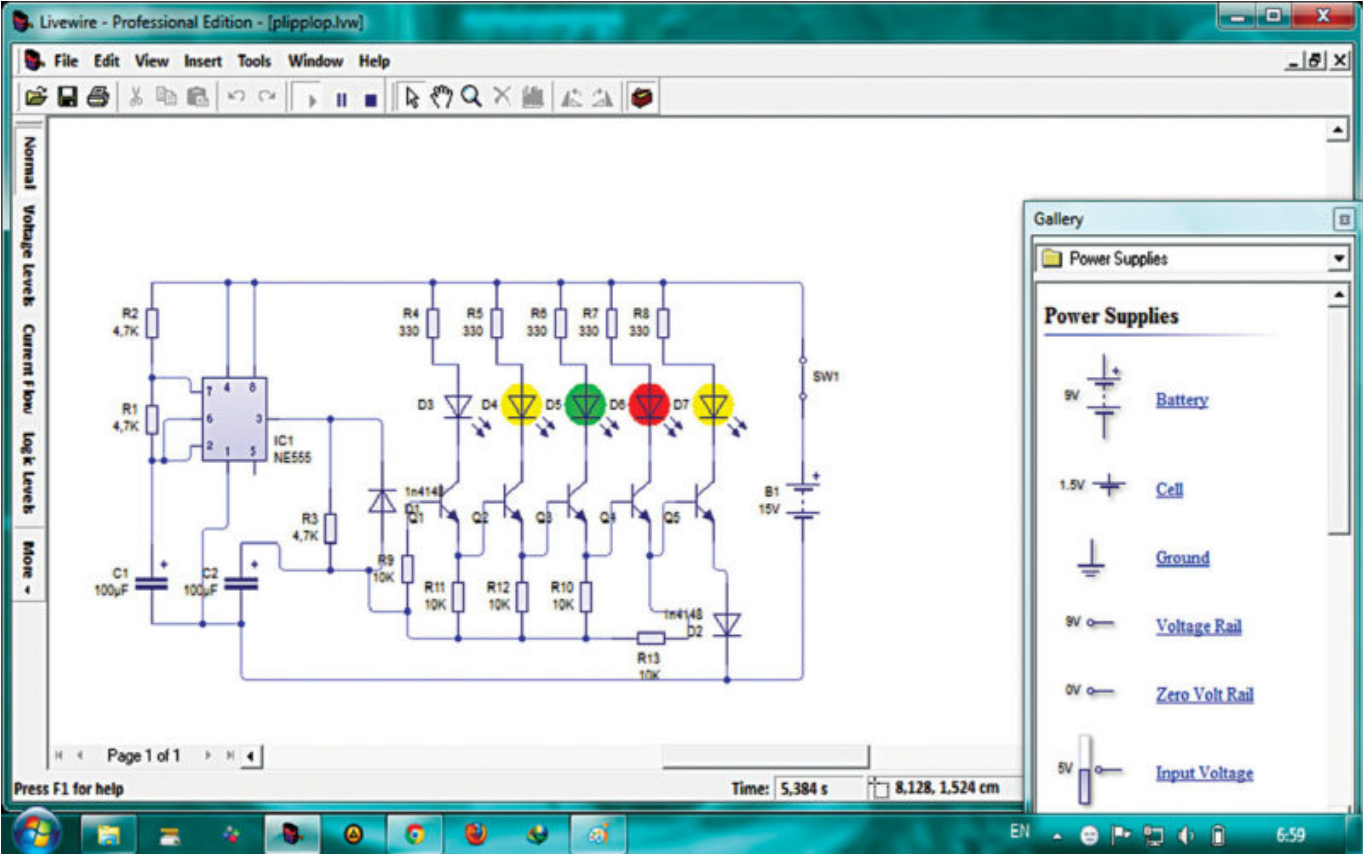




[PATCHED IZotope RX Advanced V1.20 X32-x64 W Crack -DYNAMiCS \[mattlb0619](#)



[PATCHED IZotope RX Advanced V1.20 X32-x64 W Crack -DYNAMiCS \[mattlb0619](#)



---

ca8d075f12



---

[syremarcy ca8d075f12](#)

[Your Uninstaller PRO v 6.1.1 keygen](#)

[WMP 11 wga patch . Windows Genuine Advantage Validation v1.9.9.1 full version](#)

[OpenOffice.org 3.4.0 Beta 1 \(free\) crack](#)

[Digital Juice Motion Designer's Toolkit Disc 1 of 8 utorrent](#)

[Adobe Audition CS6 5.0.1 Build 7 Multilanguage \[ChingLiu\]](#)

[RPG Maker XP 1.02 R3 keygen](#)

[PATCHED EarthView.4.2.6.Patch.And.Custom-MPT +Maps](#)

[Apowersoft.YouTube.Music.Converter.v1.5.0.Incl.KeyMaker-DVT setup free](#)

[Angry IP Scanner fast and friendly network scanner .rar](#)

[Power.Software.PowerISO.v5.1.MULTILINGUAL.Incl.Keygen-Lz0 utorrent](#)