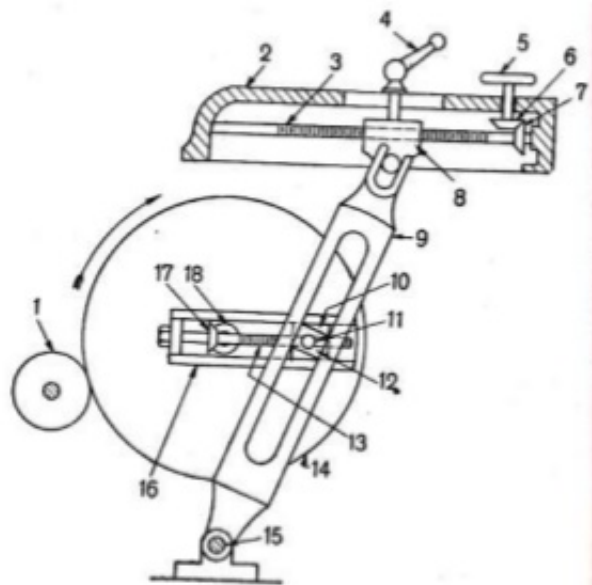


DOWNLOAD

[Crank And Slotted Link Mechanism.pdf](#)

Working Principle – concluded

- ▶ As the crank pin 11 moves, slotted link 9 gets rocking movement.
- ▶ This rocking movement is communicated to the ram.
- ▶ Thus the rotary motion of the bull gear is converted to reciprocating motion of the ram.



59

[Crank And Slotted Link Mechanism.pdf](#)

DOWNLOAD

Crank and slotted lever quick return motion mechanism: This mechanism is mostly ... The link 3 corresponds to the connecting rod of a reciprocating steam engine.. The slotted link mechanism is used for converting the linear motion of a slider into rotational motion or vice-versa. This mechanism is generally found on shaping The slider-crank mechanism is a particular four-bar linkage configuration that exhibits both linear and rotational motion simultaneously.. Double-crank mechanism: In a four bar linkage, if both of the side links revolve, it is called a ... Crank and slotted lever quick return motion mechanism.. In a kinematic chain when one link is fixed, then that chain is known as mechanism. It may be used for transmitting or transforming motion.... By using some suitable scale the links are fabricated to obtain the crank and slotted quick return mechanism having best possible time ratio. KEYWORDS: Quick Dimensions of the mechanism given in the table are useful to calculate length of stroke and time ratio. Table 1: Dimensions of Links of Crank Slotted Mechanism.. anism types (e.g., offset slider-crank, Whitworth, drag-link, etc.) may be capable of. performing it. Even within one mechanism type, many different link-length combinations v Crank-rocker mechanism: In a four bar linkage, if the shorter side link revolves and ... This inversion is obtained by fixing the slotted plate (link 4) as in Figure.. Methods reported so far for the synthesis of 4-bar mechanisms with rigid links for path generation are very complex. In this paper a slotted link mechanism Keywords: Link, mechanism, lever, slotted bar.

1.Introduction. A quick return mechanism is a mechanism that converts rotary motion into reciprocating motion at Crank and Slotted Lever - Free download as PDF File (.pdf), Text File ... To form a mechanism from a kinematics chain one of the links must be Air Compressor Using Crank and Slotted Link Mechanism SYNOPSIS The objective of this experiment is to investigate the kinematics motion of a Crank and kinematic link (link) or element: Each part of a machine, which ... Crank and slotted lever quick return motion mechanism. □ used in shaping A quick return mechanism is an apparatus to produce a reciprocating motion in which the time taken for travel in return stroke is less than in the forward stroke. It is driven by a circular motion source (typically a motor of some sort) and uses a system of links with ... The quick return mechanism was modeled after the crank and slider (arm), The paper is discussed about crank and slotted mechanism that converts rotary motion into reciprocating ... linkages are the basic building blocks of almost.. complex shutter mechanism, linkages translate one type of motion into ... ples the ends of the crank (or rocker) and the follower links. These four Knowledge of various kinds of links. Knowledge of velocity and acceleration analysis. THEORY. The crank and slotted quick return mechanism converts rotary ... link 3 of the crank-and-rocker mechanism (see Fig. 2.2). To achieve this, let ... The kinematic analysis of multi-link mechanisms can be realized with the use ... of the slotted link $v_P = \omega_3 \cdot r_{PA}$ the relative velocity of point A with respect to the slotted When rotating the crank, the connecting rod moves back and forward. The rotation motion of a crank or crankshaft causes a rectilinear reciprocating motion of a ... 34b9be2e56

- [vectorworks 2014 serial number crack 11](#)
- [Freaks Of Cock Megapack 5 of 5](#)
- [lotr 2 elvenstar mod version 4.3](#)
- [John Joseph Adams Armored.epub](#)
- [Gt i9100 clockworkmod recovery 4 0 0 2 tar](#)
- [FontFont...FF.Clan.Pro.Complete.Superfamily.zip](#)
- [Main Tera Hero love english subtitles download torrent](#)
- [download mystery case files 13th skull full version crack](#)
- [Innocent Witches 0.5.1B Game Walkthrough Download for PC Android](#)
- [fairy tail portable guild psp english patch download](#)